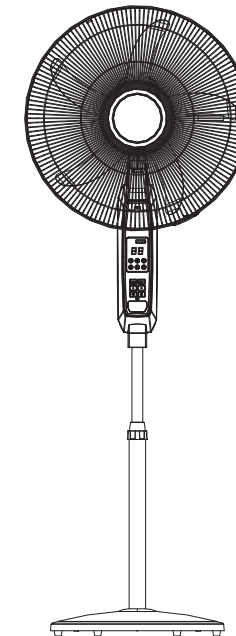
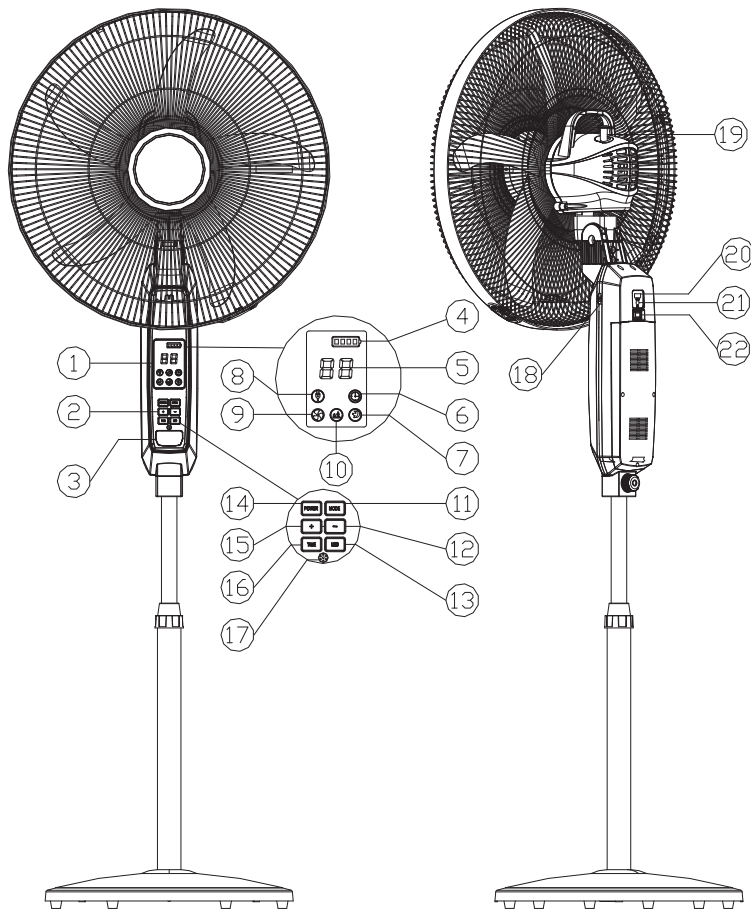


**marvel**<sup>®</sup> Tech

MODEL:MF-04-18

# INSTRUCTION MANUAL 18 RECHARGEABLE FLOOR FAN



## NAME OF PARTS

- |                        |                           |
|------------------------|---------------------------|
| 1.LED Display          | 12.Slow down button       |
| 2.Function button      | 13.LED switch             |
| 3.Led luminous zone    | 14.Fan switch             |
| 4.Power indicator      | 15.Speed up button        |
| 5.LCD display          | 16.Timer button           |
| 6.Timer                | 17.Romote receiver module |
| 7.Sleep wind indicator | 18.Ac socket              |
| 8.Charge indicator     | 19.Oscilating control     |
| 9.Fan run indicator    | 20.Usb socket             |
| 10.Natural wind        | 21.Dc socket              |
| 11.Modes button        | 22.Power main swith       |

Thank you for using our product, please read the instruction manual carefully before initial use.

## IMPORTANT NOTICE

\*This appliance is not intended for use by person(including children) with reduced physical, sensory or mental capabilities, or lack of experience and knowledge, unless they have been given supervision or instruction concerning use of the appliance by a person responsible for their safety.

\*Children should be supervised to ensure that they do not play with the appliance.

\*Two meter power cord: If the power cord is damaged, it must be replaced by a special cord or assembly available from the manufacturer or its service agent.

\*Fully charge the product before use. Read "HOW TO CHARGE" .

\*Switch off the product during storage, Periodically charge the product at least 8 hours every 3 months when storage.

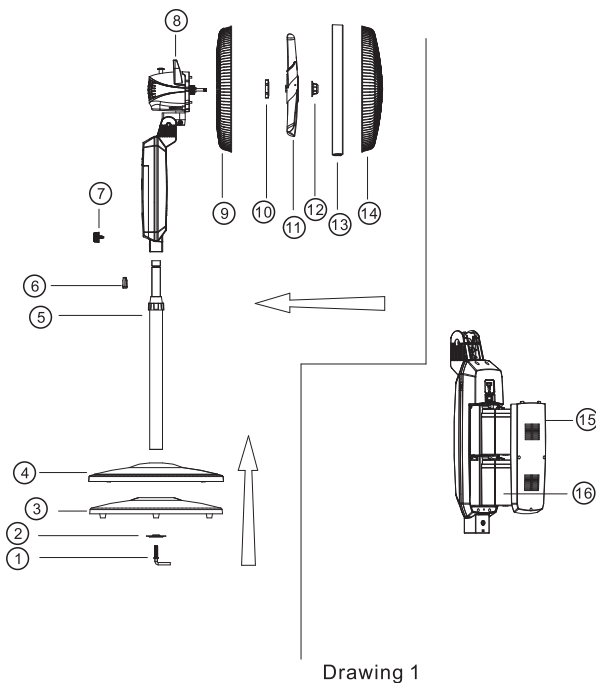
\*Keep out of water or rain for proper use. The perfect working temperature is between 0℃ and 40℃.

\*Once the product is out of operation, do not open or repair unless the qualified person.

## HOW TO ASSEMBLE

When open the packing, double check the parts all are in readiness, if have any question, please contact with supplier.

1. Please refer to picture Drawing 1 to assemble the fan. Take out metal pole, put into the bottom, then connect fan head, bottom and balance block with metal gasket and screw.
2. Assemble the back louver, louver gasket, big screw, blade, left screw nut , front louver and louver holder.
3. After finishing assembling, operate the fan to confirm the assembling correct.



1. BOLT
2. METAL GASKET
3. BALANCE BLOCK
4. BOTTOM
5. METAL POLE
6. NUT GASKET
7. BOTTOM SCREW
8. FAN HEAD
9. BACK LOUVER
10. LOUVER GASKET
11. BLADE
12. LEFT SCREW NUT
13. LOUVER HILDER
14. FRONT LOUVER
15. BATTERY COVER
16. BATTERY

Drawing 1

## HOW TO OPERATE

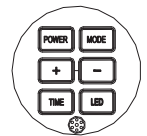
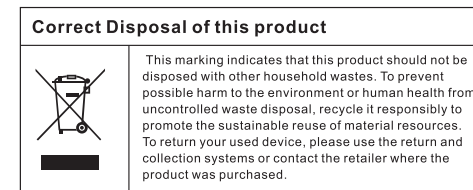
1. Press the power main switch 22. Power indicator 4 is lighting up. The fan enter standby mode. Press Fan switch 14. the fan can work, press again, the fan stop work.
2. Press the + or the - button, the fan will increase progressively to maximum speed or reduce progressively to minimum speed, the LCD display shows the speed.
3. Press LED switch, turn on or turn off the LED light
4. Press the timer button 16, can set time via "+" or "-", there are 1-12 hours to choose, press the button again can cancel Timer.
5. Press the oscillating control knob, the fan becomes swing, push up the knob, the fan becomes not swing.
6. With overcharge and overdischarge protection function.
7. Remote : press  $\odot$  button, can start the fan. press -/+ can adjust the fan speed. Press  $\odot$  button, the fan go to timer set situation, and press -/+ can set time.

## HOW TO CHARGE

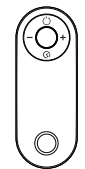
1. Please check and make sure the power supply is consistent with the unit before recharge.
2. Method one : Plug the power cord into the AC socket and the supply power.
3. Method two: Plug the 12V external transformer into DC socket and the power supply. Now can not turn on the fan. (NOTE: The DC socket is only for charging.)
4. The red LED is lighting up, it shows the lantern is being charging.
5. With overcharge protection function.

## HOW TO REPLACE BATTERY

1. Shut off the power and stop all function of the fan.
2. Loosen the screw of the cover, remove the cover, take out the old battery.
3. Replace with the new one and assemble in reverse procedures.



Drawing 2



Drawing 3

## TECHNICAL DATA

1. power source: 220-240V 50/60Hz
2. Battery: 2\*6V/4.5Ah lead acid rechargeable battery
3. Light source: 4 pcs led
4. Charge time: 12-15 hours
5. Duration: 2HOURS/STRONG SPEED  
6HOURS/MEDIUM SPEED  
50HOURS/LOW SPEED  
50HOURS/LED
6. DIMENSION: 516\*400\*1450MM